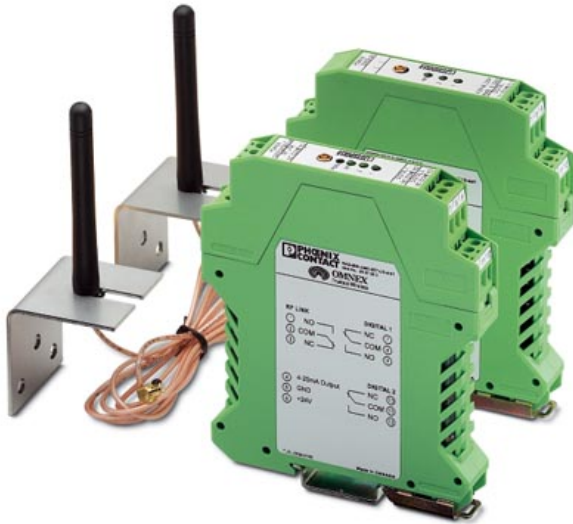


Please note that the data given here has been taken from the online catalog. Please refer to the user documentation for comprehensive information and data. The General Terms and Conditions of Use apply to Internet downloads.

**▶ Extract from the online catalog**

Unidirectional, wireless, 2400 MHz transmission system, comprising a transmitter (Tx) and a receiver (Rx)



Order No.	2867283
Ord designation	RAD-ISM-2400-SET-UD-ANT

EAN	4017918946708
Pack	1 Pcs.
Customs tariff	85269290
Catalog page information	Page 437 (IF-2005)

**▶ Technical data**

<b>Radio set</b>	
Set contents	Transmitter, receiver, 2 aerials

**Spark gap**

Direction	uni-directional
Frequency range	2.4032 GHz ... 2.4799 GHz
Channel distance	100 kHz
Number of channel groups	9
Number of channels per group	63
Transmission capacity	10 mW

**Analog input (sender)**

Description of the input	Current input
Current input signal	4 mA ... 20 mA
Input resistance current input	< 170 Ohm

**Digital input (sender)**

Number of inputs	2
Input voltage range	5 V AC/DC ... 30 V AC/DC
Switching threshold "0" signal, voltage	Max. 1.5 V DC
Switching threshold "1" signal voltage	Min. 5 V DC

**Analog output (receiver)**

Output name	Current output
Current output signal	4 mA ... 20 mA
Load/output load current output	700 Ohm (At $U_B = 24 \text{ V}$ , $R_{B} = [U_{B} - 10 \text{ V}] / 20 \text{ mA}$ )

**Digital output (receiver)**

Output name	2 x relay output + 1 x RF link
Contact type	3 floating PDT contacts
Contact material	Ag, gold-plated
Maximum switching voltage	60 V DC
Maximum switching voltage	30 V AC
Limiting continuous current	0.5 A
Service life mechanical	1 x 10 <sup>7</sup>
Service life, electrical	8 x 10 <sup>5</sup> cycles at a switching current of 0.5 A

---

**Supply (receiver)**

Supply voltage	24 V DC - 50% / + 25% (At U <sub>B</sub> )
Range of supply voltages	12 V DC ... 30 V DC
Typical current consumption	18 mA
Max. current consumption	35 mA

---

**Supply (sender)**

Supply voltage	24 V DC - 50% / + 25%
Range of supply voltages	12 V DC ... 30 V DC
Typical current consumption	54 mA (At U <sub>B</sub> )
Max. current consumption	120 mA (At U <sub>B</sub> )

---

**General data**

Ambient temperature (operation)	-20 ° C ... 65 ° C (IEC 68-1/UL 508)
Ambient temperature (storage/transport)	-40 ° C ... 85 ° C
Degree of protection	IP20
Installation position	Any
Assembly instructions	on TS 35 profile rail acc. to EN 60 715
Housing material	Polyamide PA non-reinforced
Length	99 mm
Width	17.5 mm
Height	114.5 mm

---

**Connection data**

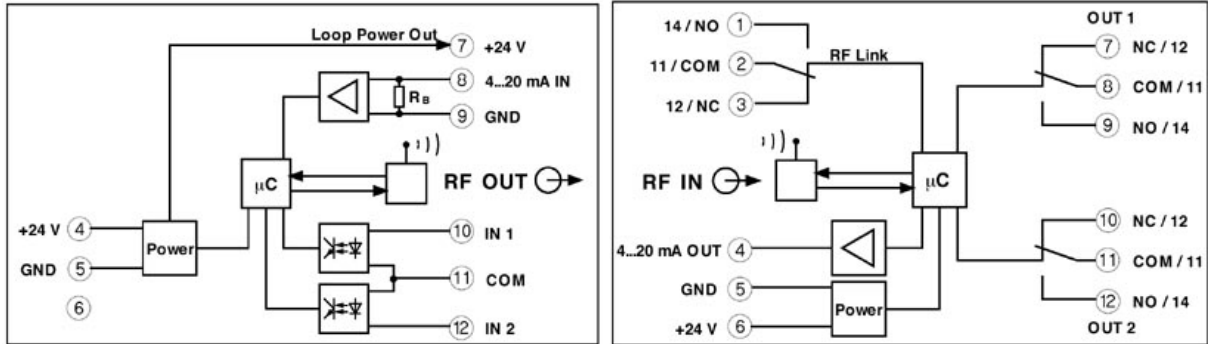
Min. conductor cross section, rigid	0.2 mm <sup>2</sup>
Conductor cross section, rigid max.	2.5 mm <sup>2</sup>
Conductor cross section flexible min.	0.2 mm <sup>2</sup>
Max. conductor cross section, flexible	2.5 mm <sup>2</sup>
Min. conductor cross section AWG/kcmil	24
Conductor cross section AWG/kcmil max	14
Type of connection	Screw connection
Stripping length	8 mm
Screw thread	M 3

---



► Drawings

Block diagram



## ► Address

---

Phoenix Contact GmbH & Co. KG  
Flachsmarktstr. 8  
32825 Blomberg  
Germany  
Phone +49 5235 3 00  
Fax +49 5235 3 1200  
<http://www.phoenixcontact.com>

Phoenix Contact  
Technical modifications reserved;