

Please note that the data given here has been taken from the online catalog. Please refer to the user documentation for comprehensive information and data. The General Terms and Conditions of Use apply to Internet downloads.

▶ Extract from the online catalog



The set consists of two transceivers (transmitter and receiver) and two aerials with connecting cables, for bi-directional signal transmission, transmission frequency of 2400 MHz.

Order No.	2867733
Ord designation	RAD-ISM-2400-SET-BD-BUS-ANT

EAN	4017918975067
Pack	1 Pcs.
Customs tariff	85269290
Catalog page information	Page 438 (IF-2005)

▶ Technical data

Radio set	
Set contents	2 transceivers, 2 aerials

Spark gap

Direction	bi-directional
Frequency range	2.4032 GHz ... 2.4799 GHz
Channel distance	500 kHz
Number of channel groups	7
Number of channels per group	22
Transmission capacity	10 mW

Analog input

Description of the input	Current input
Current input signal	4 mA ... 20 mA
Input resistance current input	< 170 Ohm

Digital input

Number of inputs	2
Input voltage range	5 V AC/DC ... 30 V AC/DC
Switching threshold "0" signal, voltage	Max. 1.5 V DC
Switching threshold "1" signal voltage	Min. 5 V DC

Analog output

Output name	Current output
Current output signal	4 mA ... 20 mA
Load/output load current output	700 Ohm (At $U_B = 24 \text{ V}$, $R_{B} = [U_{B} - 10 \text{ V}] / 20 \text{ mA}$)

Digital output

Output name	2 x relay output + 1 x RF link
Contact type	3 floating N/O contacts
Contact material	Ag, gold-plated
Maximum switching voltage	60 V DC
Maximum switching voltage	30 V AC
Limiting continuous current	0.5 A

Supply

Supply voltage	24 V DC - 50% / + 25%
Range of supply voltages	12 V DC ... 30 V DC
Typical current consumption	75 mA
Max. current consumption	150 mA

General data

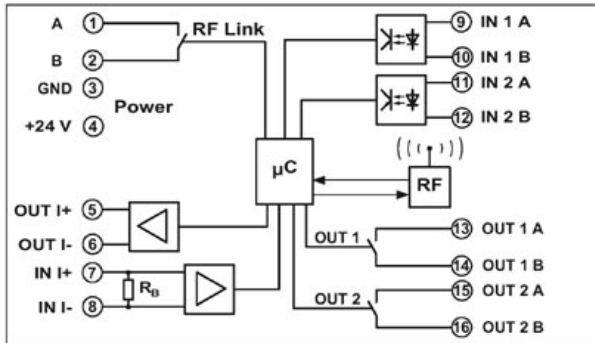
Ambient temperature (operation)	-20 ° C ... 65 ° C (IEC 68-1/UL 508)
Ambient temperature (storage/transport)	-40 ° C ... 85 ° C
Degree of protection	IP20
Installation position	Any
Assembly instructions	on TS 35 profile rail acc. to EN 60 715
Housing material	Polyamide PA non-reinforced
Length	99 mm
Width	22.5 mm
Height	114.5 mm

Connection data

Min. conductor cross section, rigid	0.2 mm ²
Conductor cross section, rigid max.	4 mm ²
Conductor cross section flexible min.	0.2 mm ²
Max. conductor cross section, flexible	2.5 mm ²
Min. conductor cross section AWG/kcmil	24
Conductor cross section AWG/kcmil max	14
Type of connection	Screw connection
Stripping length	8 mm
Screw thread	M 3

▸ Drawings

Block diagram



► Address

Phoenix Contact GmbH & Co. KG
Flachsmarktstr. 8
32825 Blomberg
Germany
Phone +49 5235 3 00
Fax +49 5235 3 1200
<http://www.phoenixcontact.com>

Phoenix Contact
Technical modifications reserved;